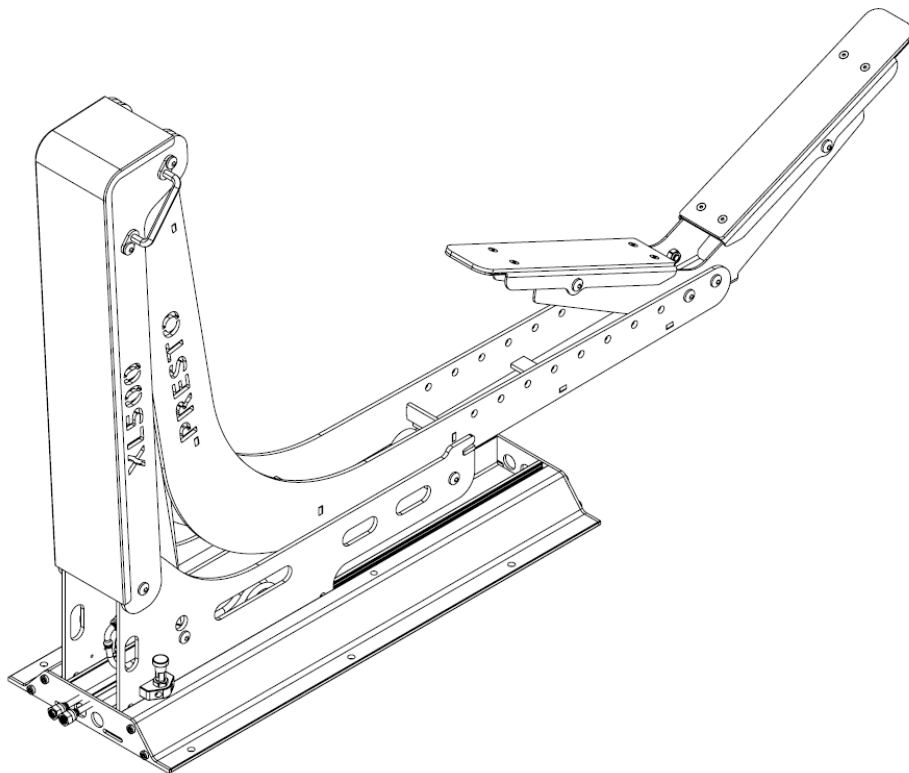


Spare parts XL500

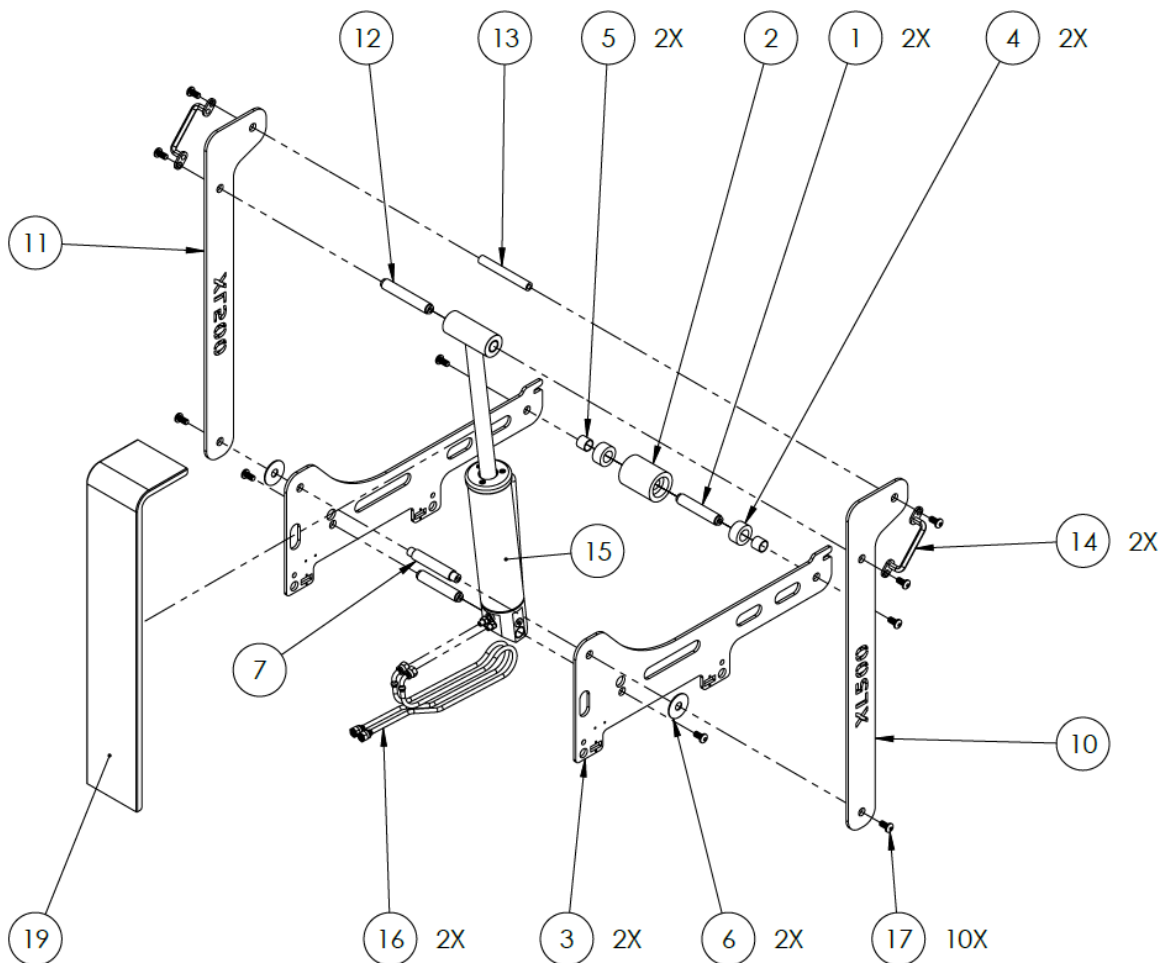
Pricelist SEK, EUR, CAD, USD, AUD
(version 1.1 - 2024)

For fixed & rail models



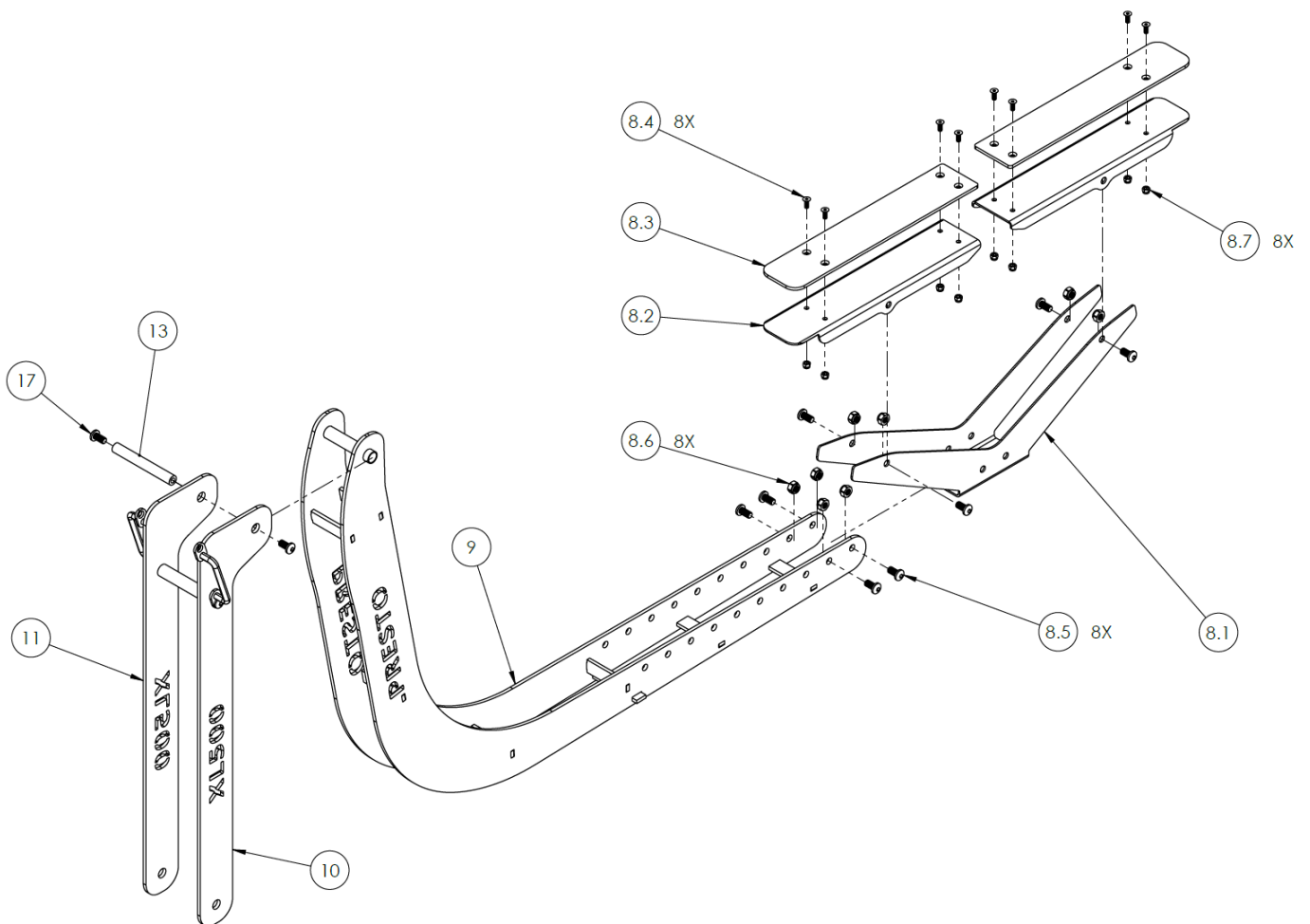
Lever arm and main components

Position	P/N.	Qty for one lift unit	Description	Price SEK	Price EUR	Price CAD	Price USD	Price AUD
1	3211	2	Shaft-Cyl.mount & Shaft-Guide roller	256	23	33	27	43
2	3212	1	Guidewheel Lifting arm	462	42	60	49	78
3	3354	2	Sideplate L200/XL500	3916	356	510	412	658
4	3019	2	Support roller lifting arm	211	19	28	22	35
5	2032	2	Bushing XSM 202320	125	11	16	13	21
6	3049	2	Nylon washer	139	13	18	15	23
7	3210	1	Shaft Lever arm	299	27	39	31	50
10	3468	1	Leverarm RIGHT	1848	168	241	195	310
11	3469	1	Leverarm LEFT	1848	168	241	195	310
12	3208	1	Shaft cylinder piston	299	27	39	31	50
13	3209	1	Shaft Lift arm	231	21	30	24	39
14	1064	2	Handle (complete with two bolts)	325	30	42	34	55
15	1104	1	"Complete unit" - Cylinder with CAN-Bus	31180	2835	4060	3282	5238
16	2011	2	Hydraulic Hose XL500 all models	2622	238	341	276	441
17	2004	11	Bolt K6 M10x20	11	1	1	1	2
19	3221	1	Protective cover	2024	184	264	213	340



Lifting Arm and keel support components

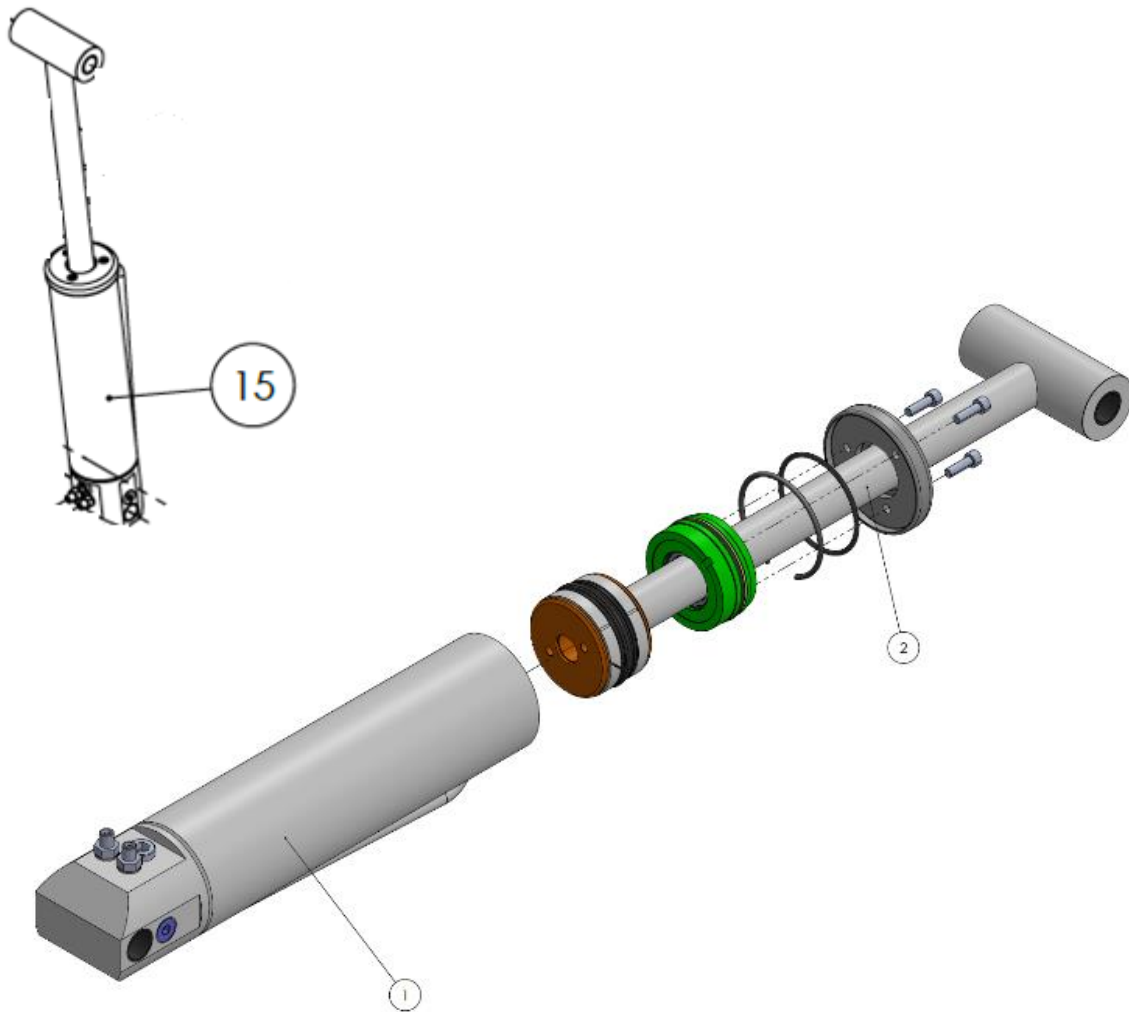
Position	P/N.	Qty	Description	Price SEK	Price EUR	Price CAD	Price USD	Price AUD
8	1098	1	Keel support self-adjusting - Complete	7190	654	936	757	1208
8.1	3343	1	Base plate keel support	3340	304	435	352	561
8.2	3344	2	Tilting keel support Self adjusting	1540	140	201	162	259
8.3	3345	2	Nylonplate - keel support	356	32	46	38	60
8.4	2005	8	Screw MF6S M6x16 A4	5	1	1	1	1
8.5	2004	8	Bolt K6 M10x20	11	1	1	1	2
8.6	2003	8	Nut M10 A4 Nylock	9	1	1	1	1
8.7	2007	8	Nut M6 A4 Nylock	2	1	1	1	1
9	1048	1	Lift arm XL500	11365	1033	1480	1196	1909
10	3468	1	Lever arm Right	1848	168	241	195	310
11	3469	1	Lever arm Left	1848	168	241	195	310
13	3209	1	Shaft Lift arm	231	21	30	24	39
17	2004	10	Bolt K6 M10x20	11	1	1	1	2



Hydraulic Cylinder and components

Complete units

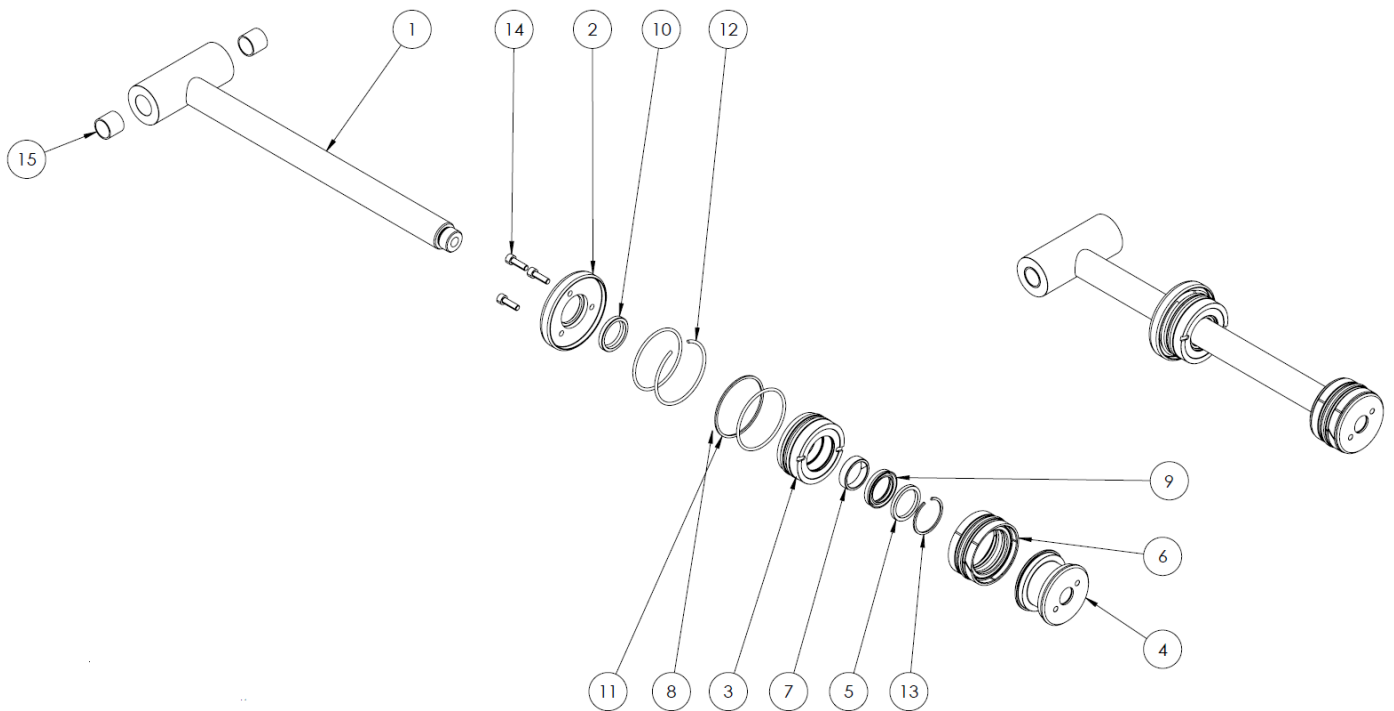
Position	P/N.	Qty	Description	Price SEK	Price EUR	Price CAD	Price USD	Price AUD
15	1104	1	"Complete unit" - Cylinder with CAN-Bus	31180	2835	4060	3282	5238
1	1125	1	Cylinder unit complete	17600	1600	2292	1853	2957
2	1122	1	Piston complete	17160	1560	2234	1806	2883



Hydraulic Cylinder and components

Piston components

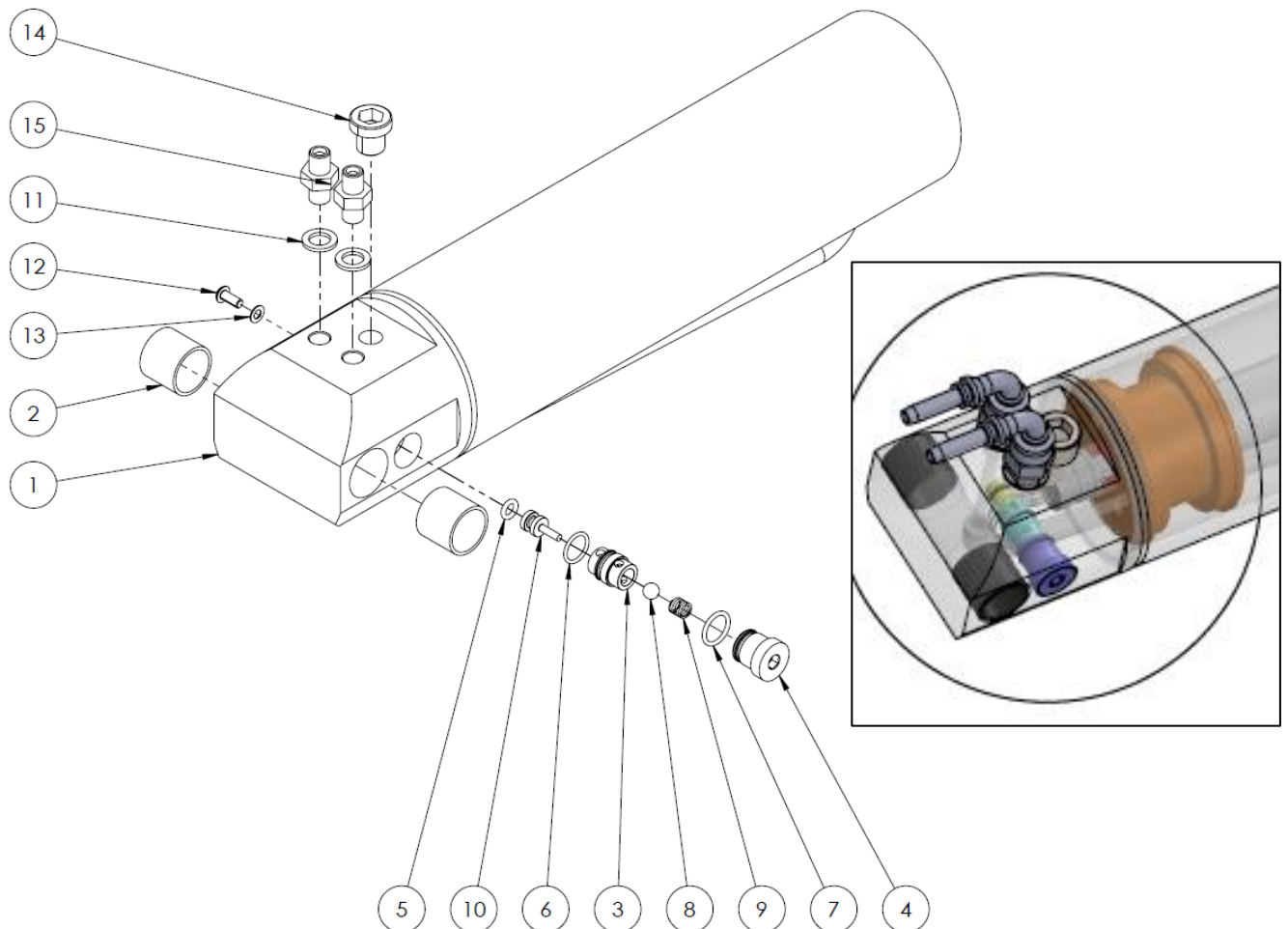
Position	P/N.	Qty	Description	Price SEK	Price EUR	Price CAD	Price USD	Price AUD
1	1121	1	Piston	6584	599	857	693	1106
2	4015	1	Cyl Top cover	2042	186	266	215	343
3	4013	1	Cyl top end	2574	234	335	271	432
4	4004	1	Piston	3553	323	463	374	597
5	4017	1	Support seal ring	333	30	43	35	56
6	2043	1	Piston Seal ring	1003	91	131	106	169
7	2046	1	Piston guide	586	53	76	62	98
8	2044	2	O-ring 64,5x3mm STD NPR70	27	2	4	3	5
9	2047	1	Piston seal ring	479	44	62	50	80
10	2045	1	Wiper ring	449	41	58	47	75
11	2058	1	Support ring 64.5x3mm	468	43	61	49	79
12	2053	1	Cyl locking ring	257	23	34	27	43
13	2017	1	Locking ring	42	4	5	4	7
14	2054	3	Screw M6x20 A4	33	3	4	3	6
15	2032	2	Bushing XMS 202320	657	60	86	69	110



Hydraulic Cylinder and components

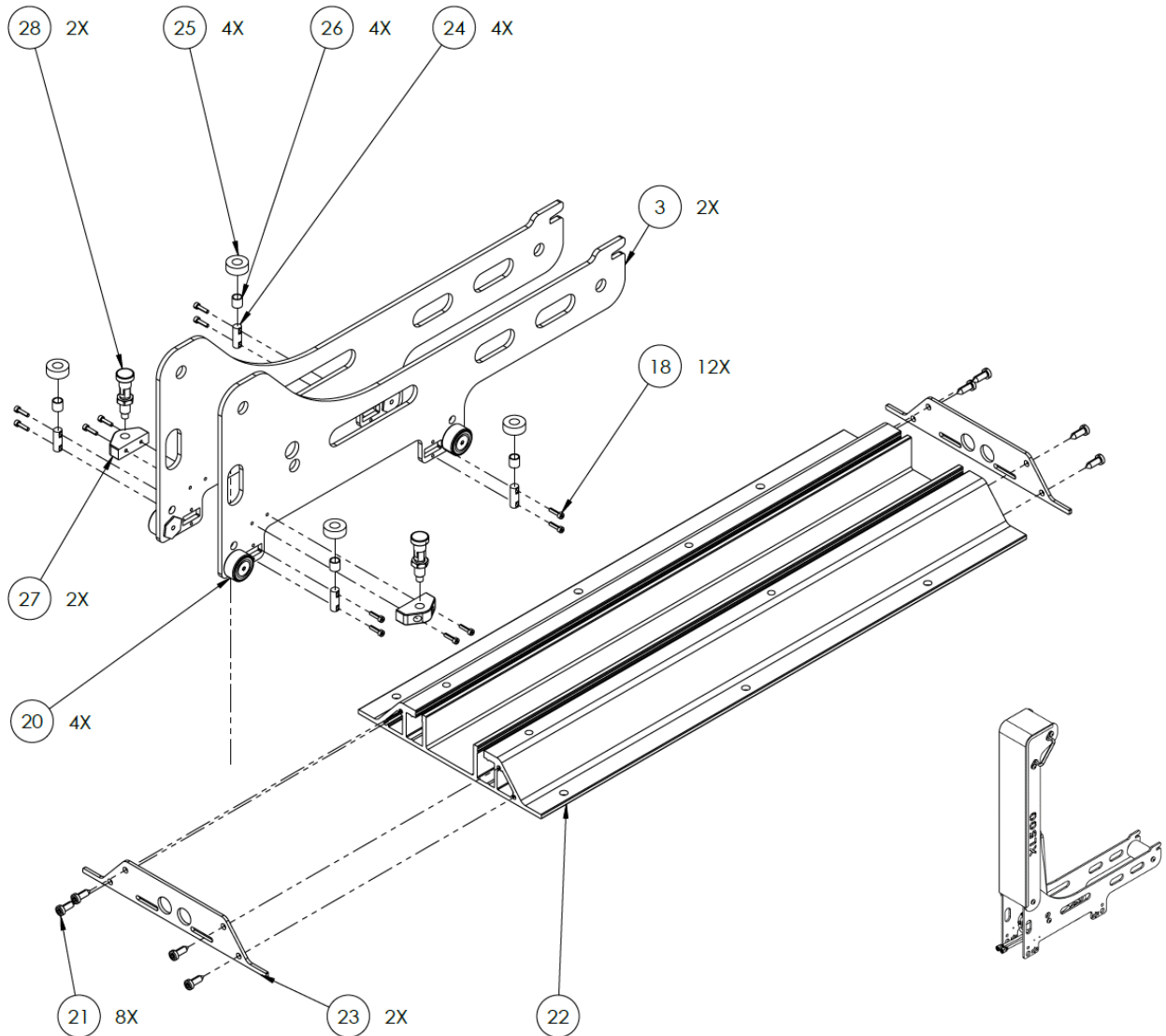
Cylinder components

Position	P/N.	Qty	Description	Price SEK	Price EUR	Price CAD	Price USD	Price AUD
1	1120	1	Cylinder	14067	1279	1832	1481	2363
2	2032	2	Bushing XMS 202320	156	14	20	16	26
3	4010	1	Valve positioning pilot valve	317	29	41	33	53
4	4008	1	Cyl cap for pilot valve	348	32	45	37	58
5	2052	1	O-ring 4,4x2,4mm	5	1	1	1	1
6	2050	1	O-ring 11,1x1,6mm	6	1	1	1	1
7	2051	1	O-ring 12,42x1,78mm	7	1	1	1	1
8	2015	1	Ball pilot valve	85	8	11	9	14
9	2016	1	Spring pilot valve	187	17	24	20	31
10	4009	1	Piston for pilot valve	529	48	69	56	89
11	2049	2	Rubber/Steel washer 1/8"	192	17	25	20	32
12	2075	1	Lockscrew M4x10	9	1	1	1	1
13	2078	1	Rubber/Steel washer M4	176	16	23	19	30
14	2056	1	M12x1,5 plug & seal	3291	299	429	346	553
15	2014	2	Adapter 1/8 - 1/8 Male to Male	2772	252	361	292	466



Rail and Rolling components (Only Rail models)

Position	P/N.	Qty	Description	Price SEK	Price EUR	Price CAD	Price USD	Price AUD
3	3354	2	Sideplate L200/XL500	330	30	43	35	55
18	2072	12	Socket screw M4x16 A4	3	1	1	1	1
20	1100	4	CAM wheel rail Complete	1642	149	214	173	276
21	2008	8	Screw RTS Torx 6.3x19 A4	4	1	1	1	1
22	3352-Lenght 800mm	1	Rail 800mm (31.5")	6044	549	787	636	1015
22	3352-Lenght 900mm	1	Rail 900mm (35.4")	6634	603	864	698	1115
22	3352-Lenght 1100mm	1	Rail 1100mm (43.3")	7815	710	1018	823	1313
22	3352-Lenght 1300mm	1	Rail 1300mm (51.2")	8996	818	1171	947	1511
22	3352-Lenght Custom	1	Rail Custom lenght	11000	1000	1432	1158	1848
23	3353	2	Endplate rail system	233	21	30	25	39
24	3358	4	Shaft - support roller	180	16	23	19	30
25	3348	4	Support roller rail system	128	12	17	13	21
26	2034	4	Bushing XSM 101210	52	5	7	5	9
27	2002	2	Holder-locking unit rail system	277	25	36	29	46
28	2001	2	Lockpin locking unit rail system	321	29	42	34	54

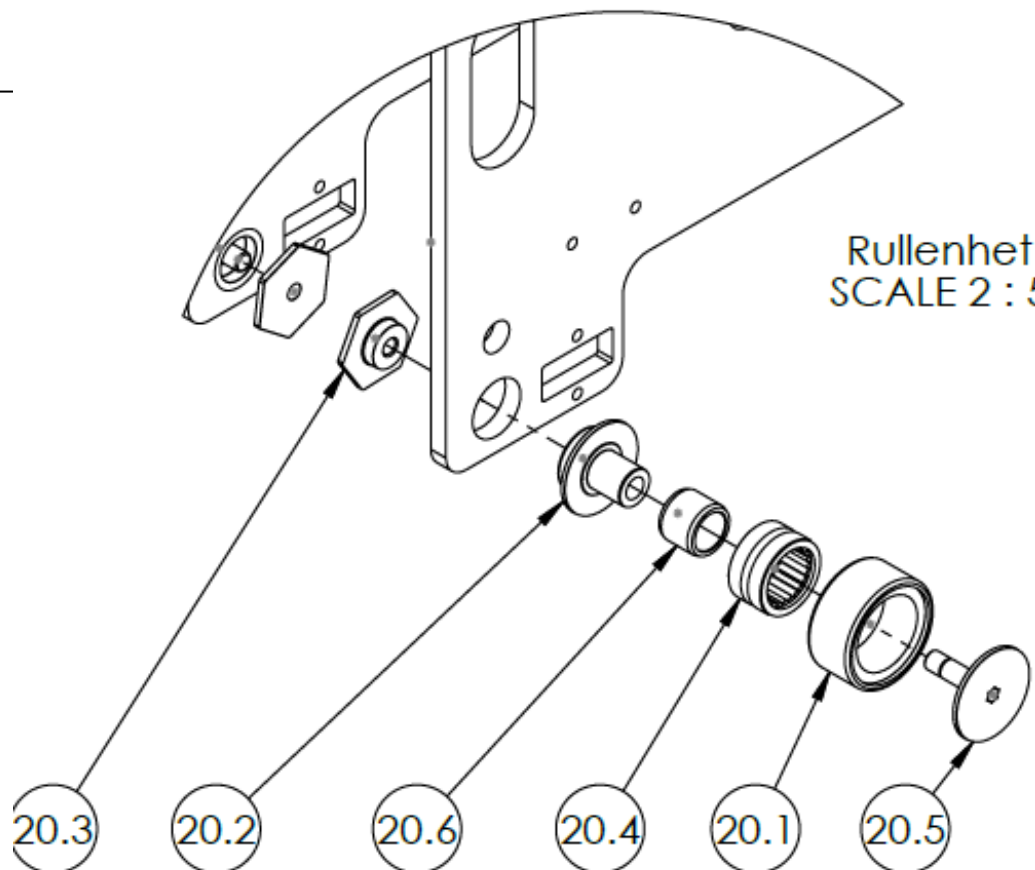
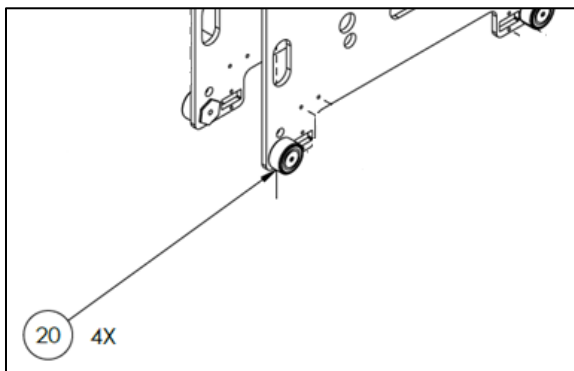


Rail and Rolling components (Only Rail models)

Position	P/N.	Qty	Description	Price SEK	Price EUR	Price CAD	Price USD	Price AUD
20	1100	4	CAM wheel rail Complete	1642	149	214	173	276

Components:

Position	P/N.	Qty	Description	Price SEK	Price EUR	Price CAD	Price USD	Price AUD
20.1	3365	1	Running wheel rail system	125	11	16	13	21
20.2	3366	1	Pin running wheel - rail system	203	18	26	21	34
20.3	3368	1	Locknut CAM wheel	145	13	19	15	24
20.4	2033	1	Needle bearing CAM wheel	647	59	84	68	109
20.5	3367	1	Locking bolt CAM wheel	240	22	31	25	40
20.6	2033	1	Needle bearing CAM wheel	647	59	84	68	109



Platform components (accessory product)

Position	P/N.	Qty/lift unit	Description	Price SEK	Price EUR	Price CAD	Price USD	Price AUD
1	1118	1	Platform Left (Large pipes)	12900	1173	1680	1358	2167
2	3417	2	Fastening bracket	240,6	22	31	25	40
3	3415	2	Nylon Spacer	440	40	57	46	74
4	1119	1	Platform Right (Smaller pipes)	12900	1173	1680	1358	2167
5	2077	2	Bolt K6S M10x50 A4	22	2	3	2	4
6	2076	2	Bolt K6S M10x45 A4	22	2	3	2	4
7	2003	4	Nut M10 A4 Nylock	8,8	1	1	1	1

