

Spare parts XL500

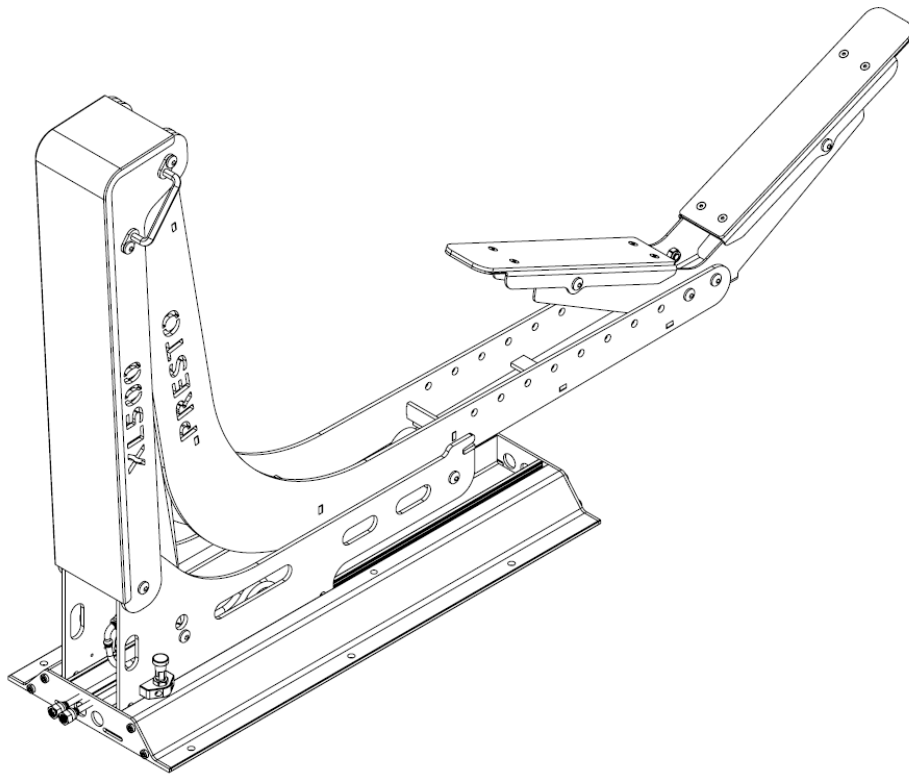
Pricelist SEK, EUR, CAD, USD, AUD

(version 1.1 – 2025)

Replaces earlier versions.

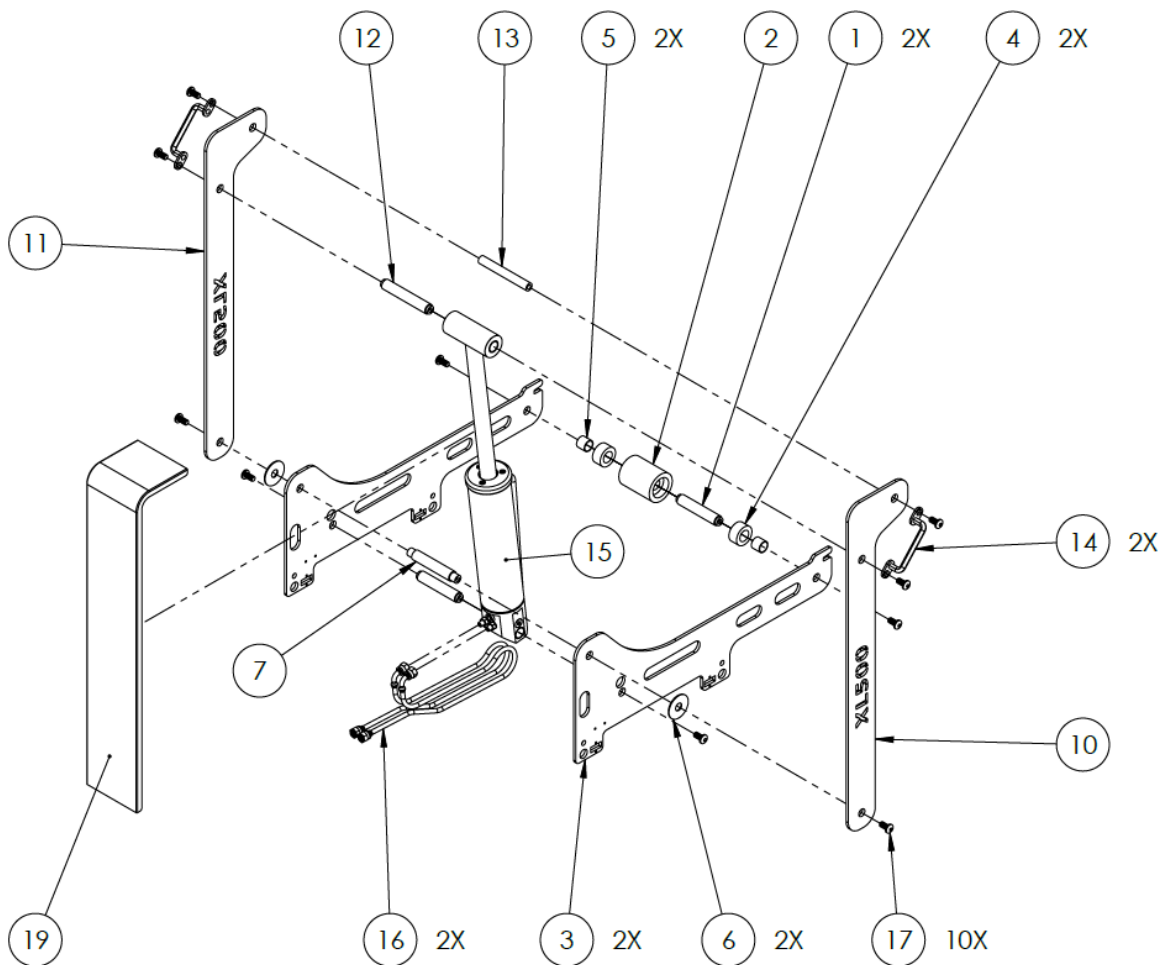
Note: Qty for one lift unit means that this qty is required for each lifting arm unit.
Prices is always for one (1) part, not for one lifting arm unit.

For fixed & rail models



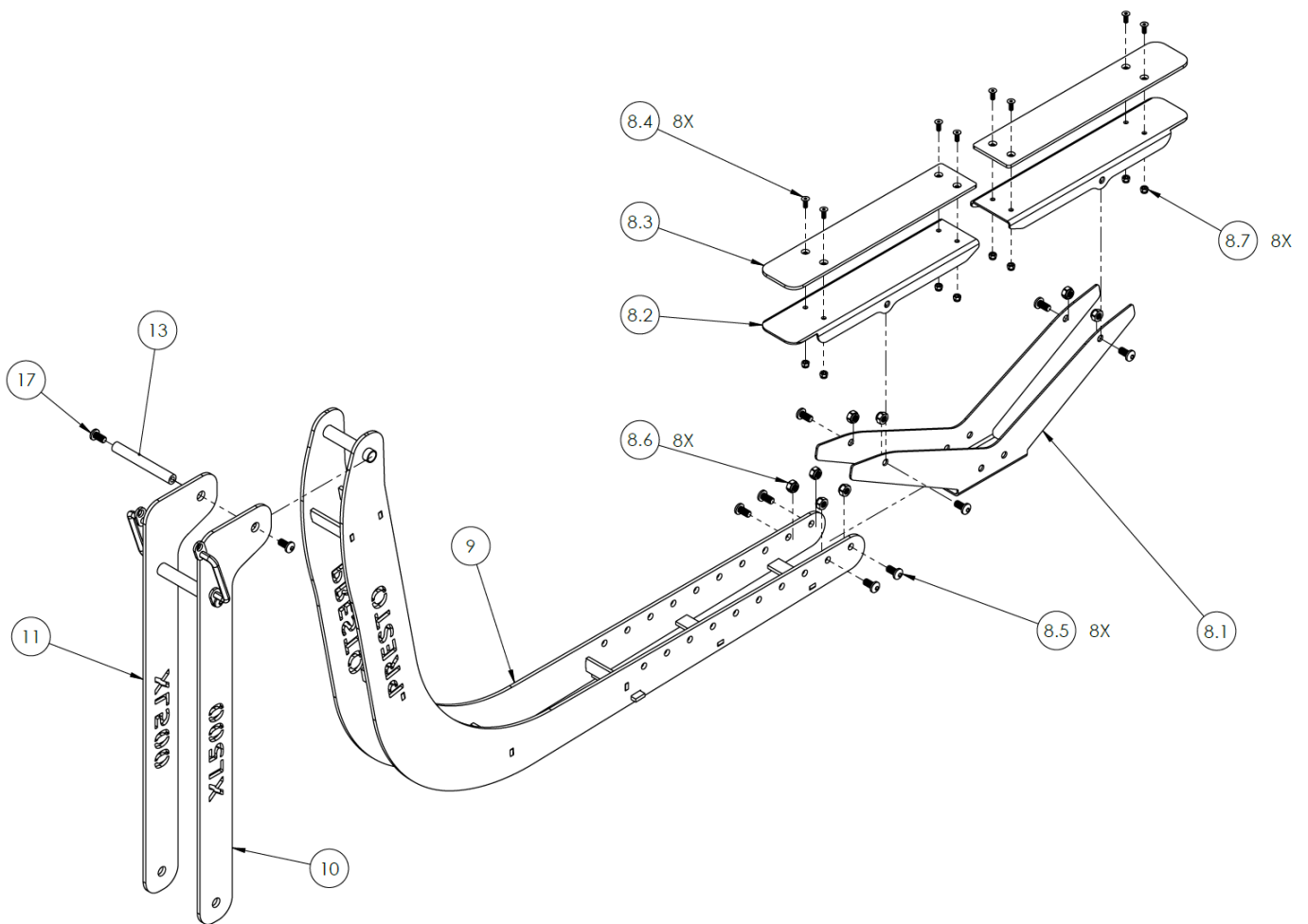
Lever arm and main components

Position	P/N.	Qty for one lift unit	Description	Price SEK	Price EUR	Price CAD	Price USD	Price AUD
1	3211	2	Shaft-Cyl.mount & Shaft-Guide roller	256	23	33	27	43
2	3212	1	Guidewheel Lifting arm	462	42	60	49	78
3	3354	2	Sideplate L200/XL500	3916	356	510	412	658
4	3019	2	Support roller lifting arm	211	19	28	22	35
5	2032	2	Bushing XSM 202320	125	11	16	13	21
6	3049	2	Nylon washer	139	13	18	15	23
7	3210	1	Shaft Lever arm	299	27	39	31	50
10	3468	1	Leverarm RIGHT	1848	168	241	195	310
11	3469	1	Leverarm LEFT	1848	168	241	195	310
12	3208	1	Shaft cylinder piston	299	27	39	31	50
13	3209	1	Shaft Lift arm	231	21	30	24	39
14	1064	2	Handle (complete with two bolts)	325	30	42	34	55
15	1104	1	"Complete unit" - Cylinder with CAN-Bus	31180	2835	4060	3282	5238
16	2011	2	Hydraulic Hose XL500 all models	2622	238	341	276	441
17	2004	11	Bolt K6 M10x20	11	1	1	1	2
19	3221	1	Protective cover	2024	184	264	213	340



Lifting Arm and keel support components

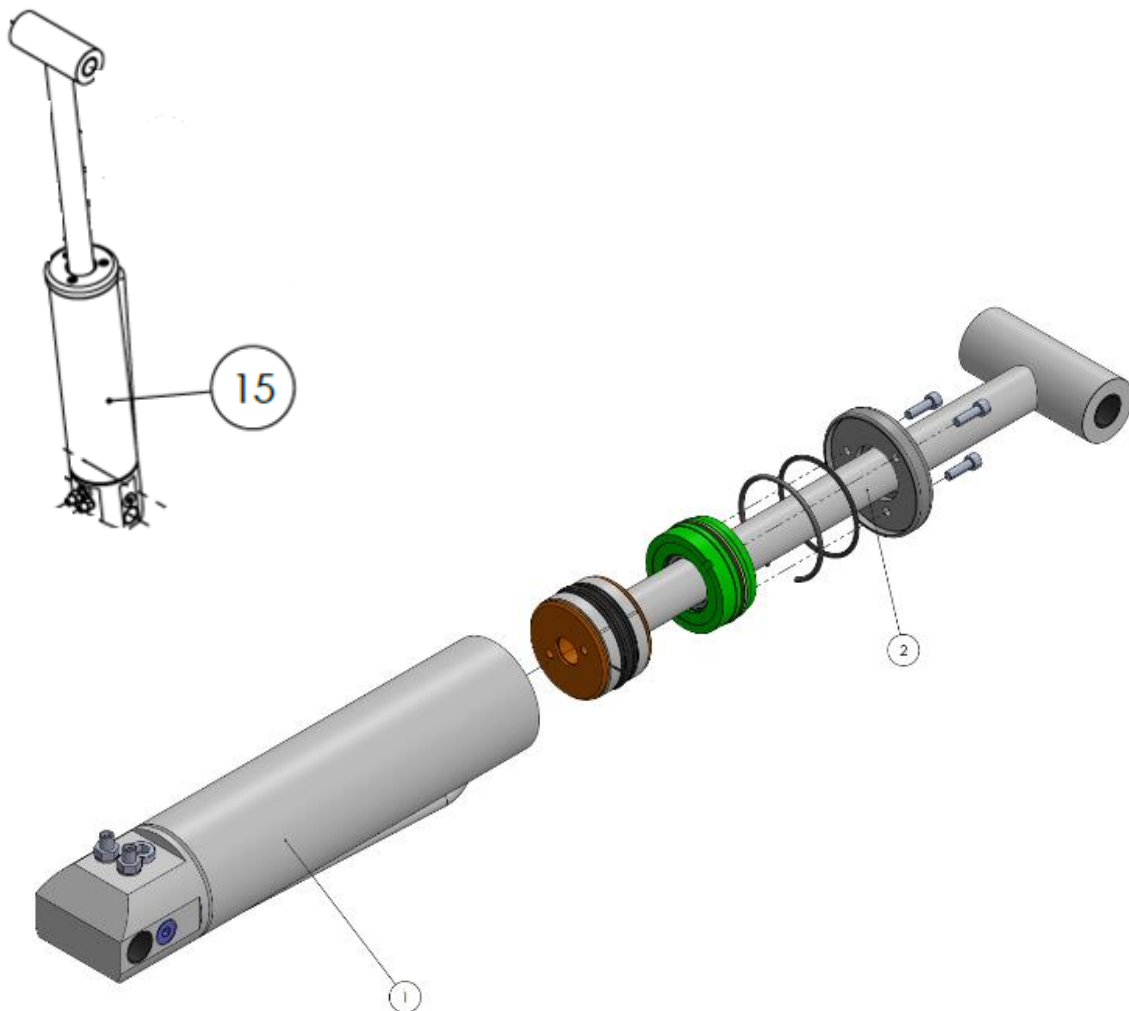
Position	P/N.	Qty	Description	Price SEK	Price EUR	Price CAD	Price USD	Price AUD
8	1098	1	Keel support self-adjusting - Complete	7190	654	936	757	1208
8.1	3343	1	Base plate keel support	3340	304	435	352	561
8.2	3344	2	Tilting keel support Self adjusting	1540	140	201	162	259
8.3	3345	2	Nylonplate - keel support	356	32	46	38	60
8.4	2005	8	Screw MF6S M6x16 A4	5	1	1	1	1
8.5	2004	8	Bolt K6 M10x20	11	1	1	1	2
8.6	2003	8	Nut M10 A4 Nylock	9	1	1	1	1
8.7	2007	8	Nut M6 A4 Nylock	2	1	1	1	1
9	1048	1	Lift arm XL500	11365	1033	1480	1196	1909
10	3468	1	Lever arm Right	1848	168	241	195	310
11	3469	1	Lever arm Left	1848	168 <td 241	195	310	
13	3209	1	Shaft Lift arm	231	21	30	24	39
17	2004	10	Bolt K6 M10x20	11	1	1	1	2



Hydraulic Cylinder and components

Complete units

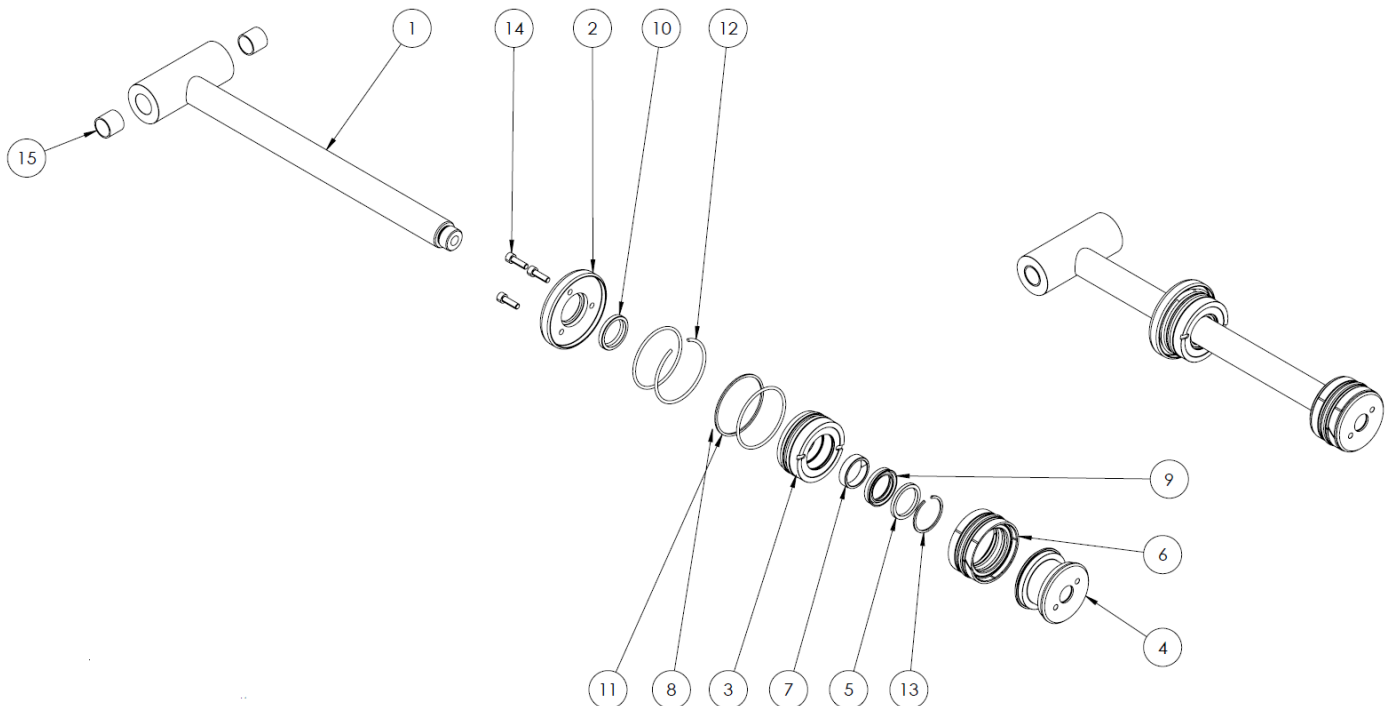
Position	P/N.	Qty	Description	Price	Price	Price	Price	Price
				SEK	EUR	CAD	USD	AUD
15	1104	1	"Complete unit" - Cylinder with CAN-Bus	31180	2835	4060	3282	5238
1	1125	1	Cylinder unit complete	17600	1600	2292	1853	2957
2	1122	1	Piston complete	17160	1560	2234	1806	2883



Hydraulic Cylinder and components

Piston components

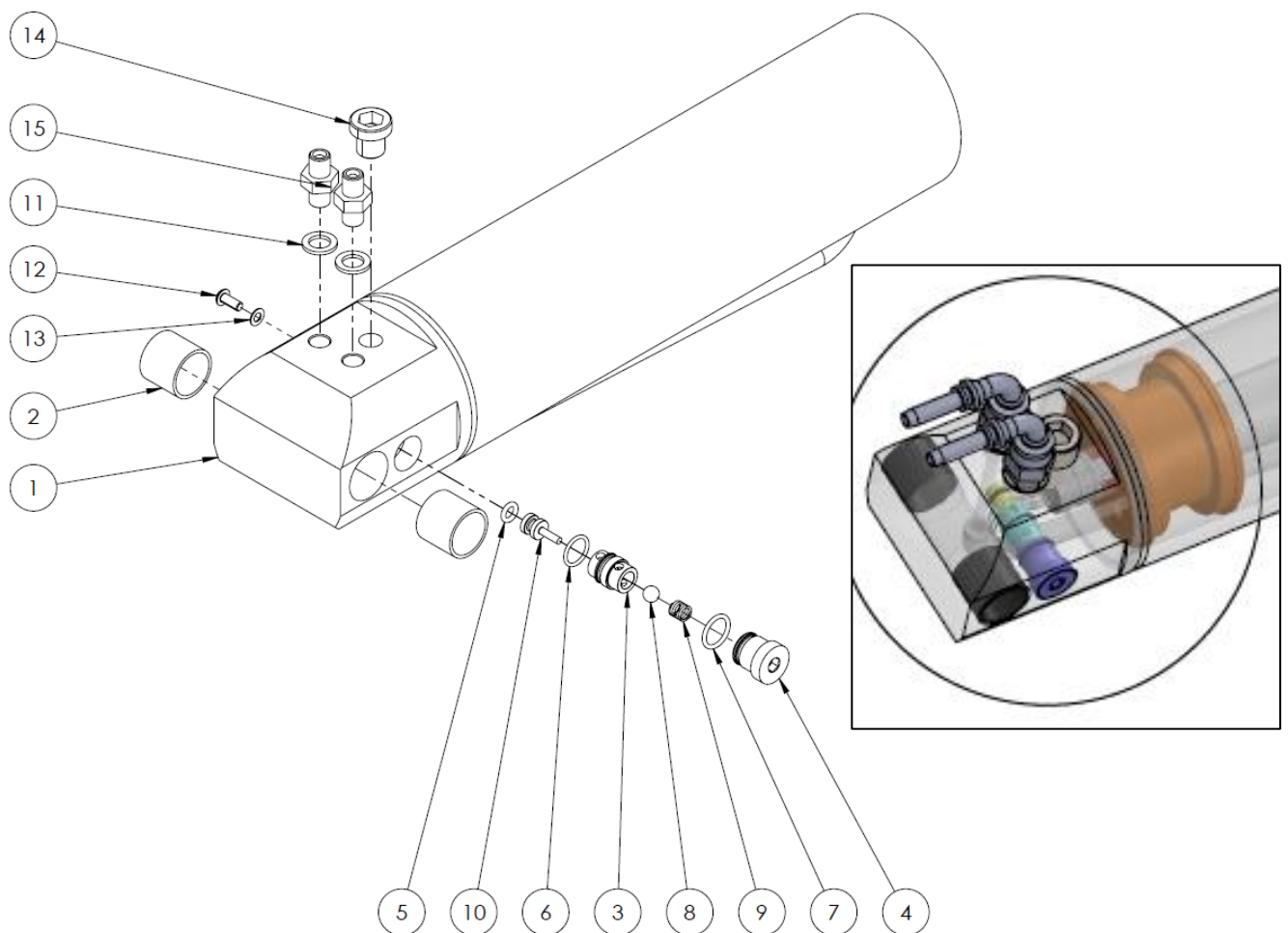
Position	P/N.	Qty	Description	Price SEK	Price EUR	Price CAD	Price USD	Price AUD
1	1121	1	Piston	6584	599	857	693	1106
2	4015	1	Cyl Top cover	2042	186	266	215	343
3	4013	1	Cyl top end	2574	234	335	271	432
4	4004	1	Piston	3553	323	463	374	597
5	4017	1	Support seal ring	333	30	43	35	56
6	2043	1	Piston Seal ring	1003	91	131	106	169
7	2046	1	Piston guide	586	53	76	62	98
8	2044	2	O-ring 64,5x3mm STD NPR70	27	2	4	3	5
9	2047	1	Piston seal ring	479	44	62	50	80
10	2045	1	Wiper ring	449	41	58	47	75
11	2058	1	Support ring 64.5x3mm	468	43	61	49	79
12	2053	1	Cyl locking ring	257	23	34	27	43
13	2017	1	Locking ring	42	4	5	4	7
14	2054	3	Screw M6x20 A4	33	3	4	3	6
15	2032	2	Bushing XMS 202320	657	60	86	69	110



Hydraulic Cylinder and components

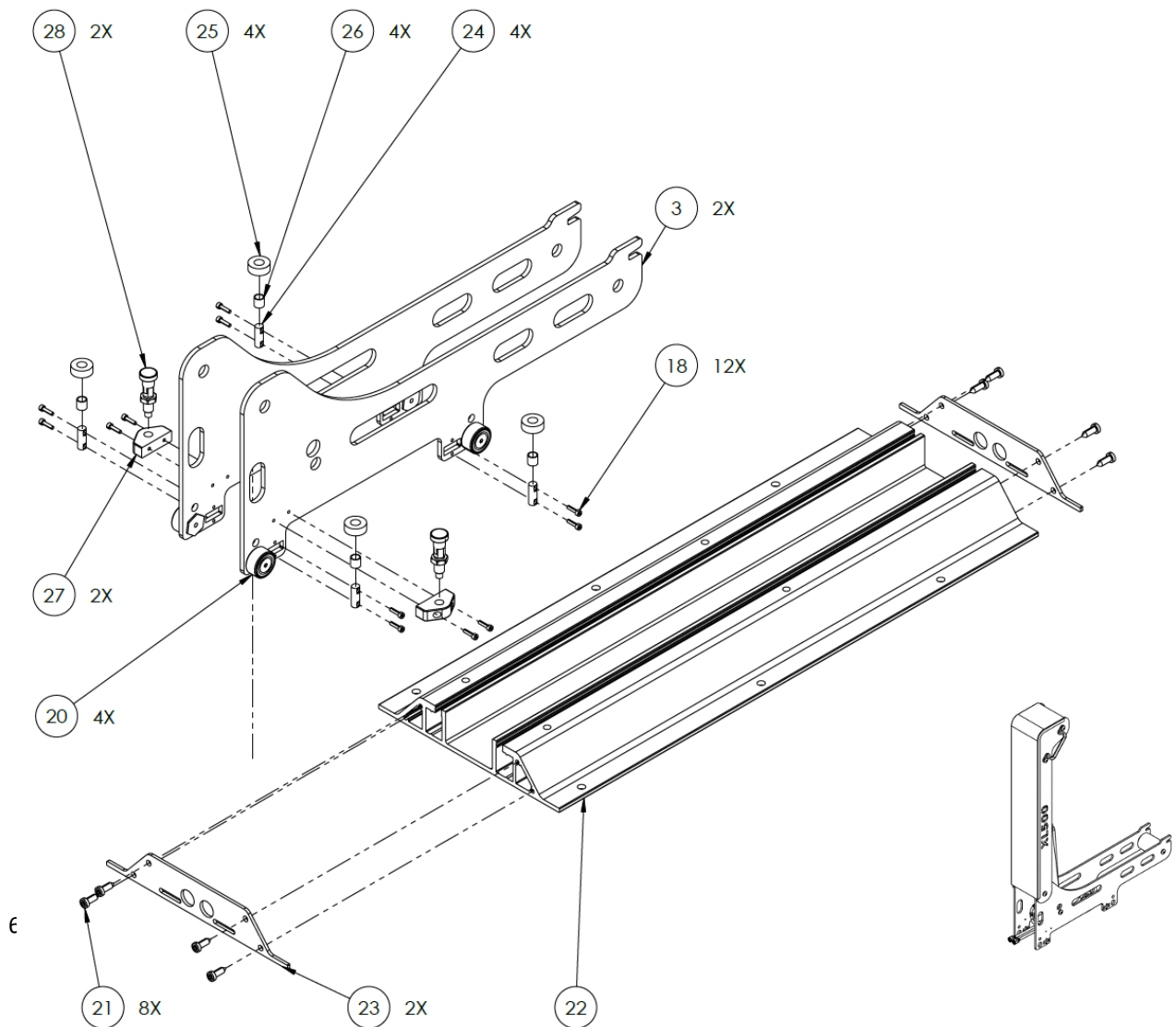
Cylinder components

Position	P/N.	Qty	Description	Price SEK	Price EUR	Price CAD	Price USD	Price AUD
1	1120	1	Cylinder	14067	1279	1832	1481	2363
2	2032	2	Bushing XMS 202320	156	14	20	16	26
3	4010	1	Valve positioning pilot valve	317	29	41	33	53
4	4008	1	Cyl cap for pilot valve	348	32	45	37	58
5	2052	1	O-ring 4,4x2,4mm	5	1	1	1	1
6	2050	1	O-ring 11,1x1,6mm	6	1	1	1	1
7	2051	1	O-ring 12,42x1,78mm	7	1	1	1	1
8	2015	1	Ball pilot valve	85	8	11	9	14
9	2016	1	Spring pilot valve	187	17	24	20	31
10	4009	1	Piston for pilot valve	529	48	69	56	89
11	2049	2	Rubber/Steel washer 1/8"	192	17	25	20	32
12	2075	1	Lockscrew M4x10	9	1	1	1	1
13	2078	1	Rubber/Steel washer M4	176	16	23	19	30
14	2056	1	M12x1,5 plug & seal	3291	299	429	346	553
15	2014	2	Adapter 1/8 - 1/8 Male to Male	2772	252	361	292	466



Rail and Rolling components (Only Rail models)

Position	P/N.	Qty	Description	Price SEK	Price EUR	Price CAD	Price USD	Price AUD
3	3354	2	Sideplate L200/XL500	3916	356	510	412	658
18	2072	12	Socket screw M4x16 A4	3	1	1	1	1
20	1100	4	CAM wheel rail Complete	1642	149	214	173	276
21	2008	8	Screw RTS Torx 6.3x19 A4	4	1	1	1	1
22	3352-Lenght 800mm	1	Rail 800mm (31.5")	6044	549	787	636	1015
22	3352-Lenght 900mm	1	Rail 900mm (35.4")	6634	603	864	698	1115
22	3352-Lenght 1100mm	1	Rail 1100mm (43.3")	7815	710	1018	823	1313
22	3352-Lenght 1300mm	1	Rail 1300mm (51.2")	8996	818	1171	947	1511
22	3352-Lenght Custom	1	Rail Custom lenght	11000	1000	1432	1158	1848
23	3353	2	Endplate rail system	233	21	30	25	39
24	3358	4	Shaft - support roller	180	16	23	19	30
25	3348	4	Support roller rail system	128	12	17	13	21
26	2034	4	Bushing XSM 101210	52	5	7	5	9
27	2002	2	Holder-locking unit rail system	277	25	36	29	46
28	2001	2	Lockpin locking unit rail system	321	29	42	34	54

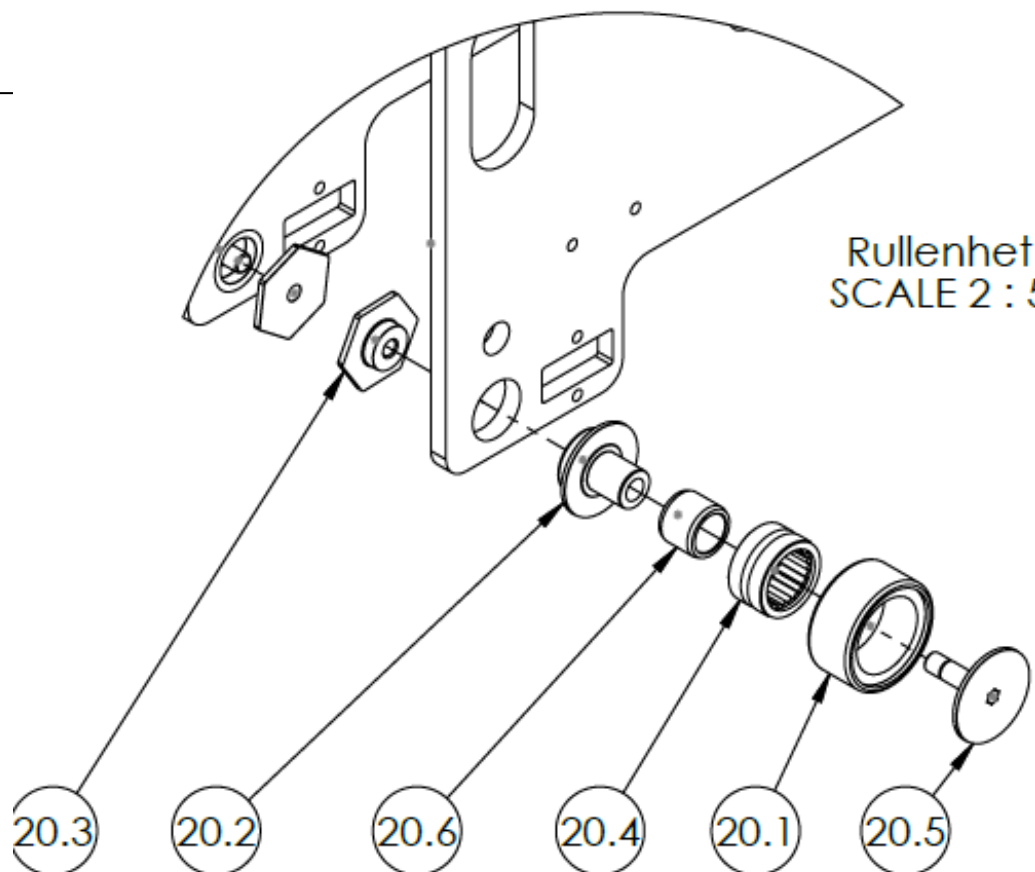
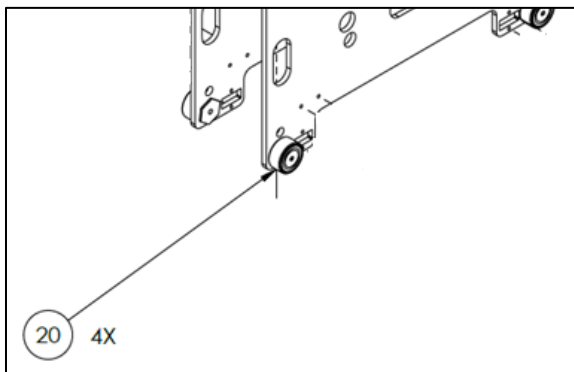


Rail and Rolling components (Only Rail models)

Position	P/N.	Qty	Description	Price SEK	Price EUR	Price CAD	Price USD	Price AUD
20	1100	4	CAM wheel rail Complete	1642	149	214	173	276

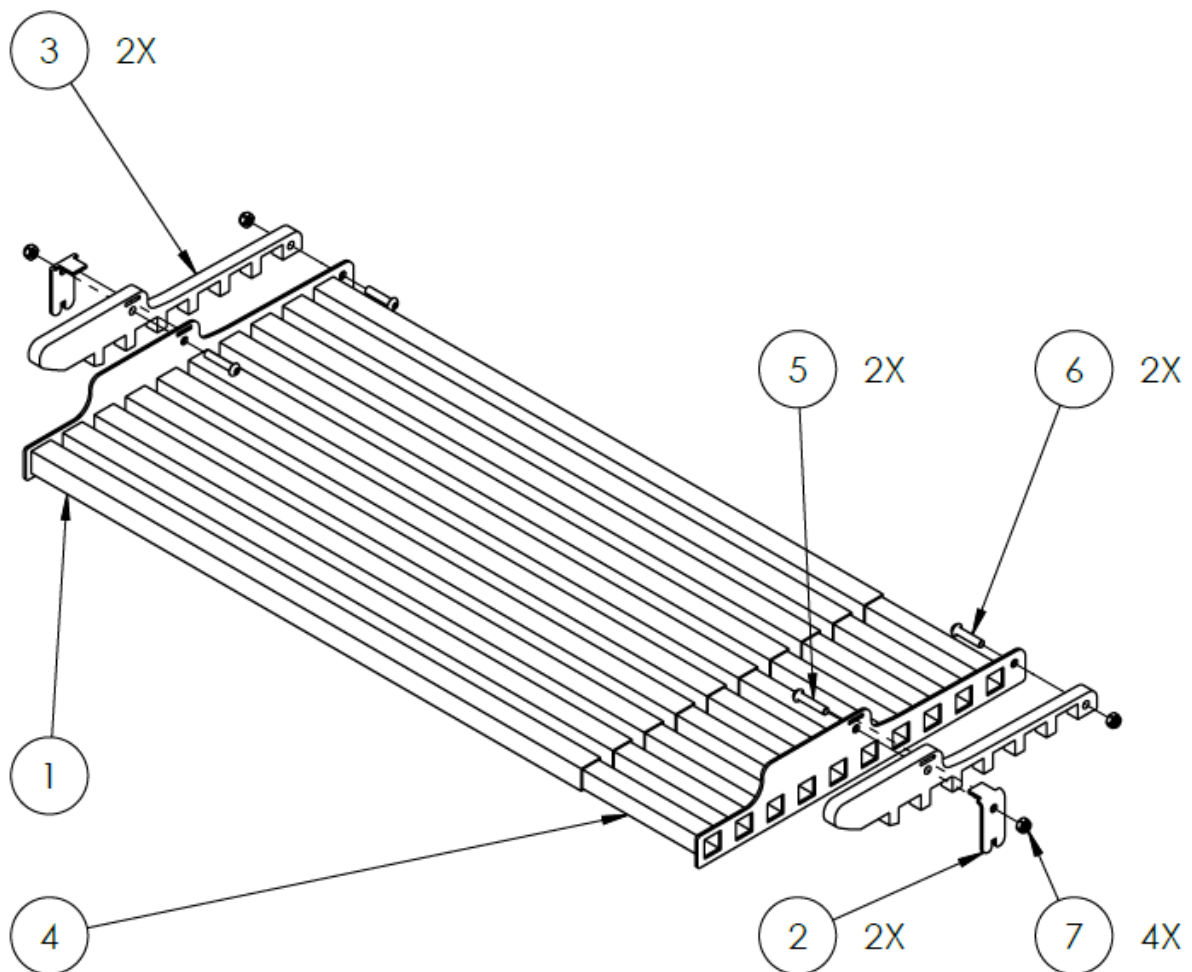
Components:

Position	P/N.	Qty	Description	Price SEK	Price EUR	Price CAD	Price USD	Price AUD
20.1	3365	1	Running wheel rail system	125	11	16	13	21
20.2	3366	1	Pin running wheel - rail system	203	18	26	21	34
20.3	3368	1	Locknut CAM wheel	145	13	19	15	24
20.4	2033	1	Needle bearing CAM wheel	647	59	84	68	109
20.5	3367	1	Locking bolt CAM wheel	240	22	31	25	40
20.6	2033	1	Needle bearing CAM wheel	647	59	84	68	109



Platform components (accessory product)

Position	P/N.	Qty/lift unit	Description	Price SEK	Price EUR	Price CAD	Price USD	Price AUD
1	1118	1	Platform Left (Large pipes)	12900	1173	1680	1358	2167
2	3417	2	Fastening bracket	240,6	22	31	25	40
3	3415	2	Nylon Spacer	440	40	57	46	74
4	1119	1	Platform Right (Smaller pipes)	12900	1173	1680	1358	2167
5	2077	2	Bolt K6S M10x50 A4	22	2	3	2	4
6	2076	2	Bolt K6S M10x45 A4	22	2	3	2	4
7	2003	4	Nut M10 A4 Nylock	8,8	1	1	1	1



For orders below 4000SEK/ 350EUR / 500 CAD / 400 USD / 650 AUD,
Prestomarine applies a handling fee. 450SEK / 40EUR / 60CAD / 50USD / 75 AUD