

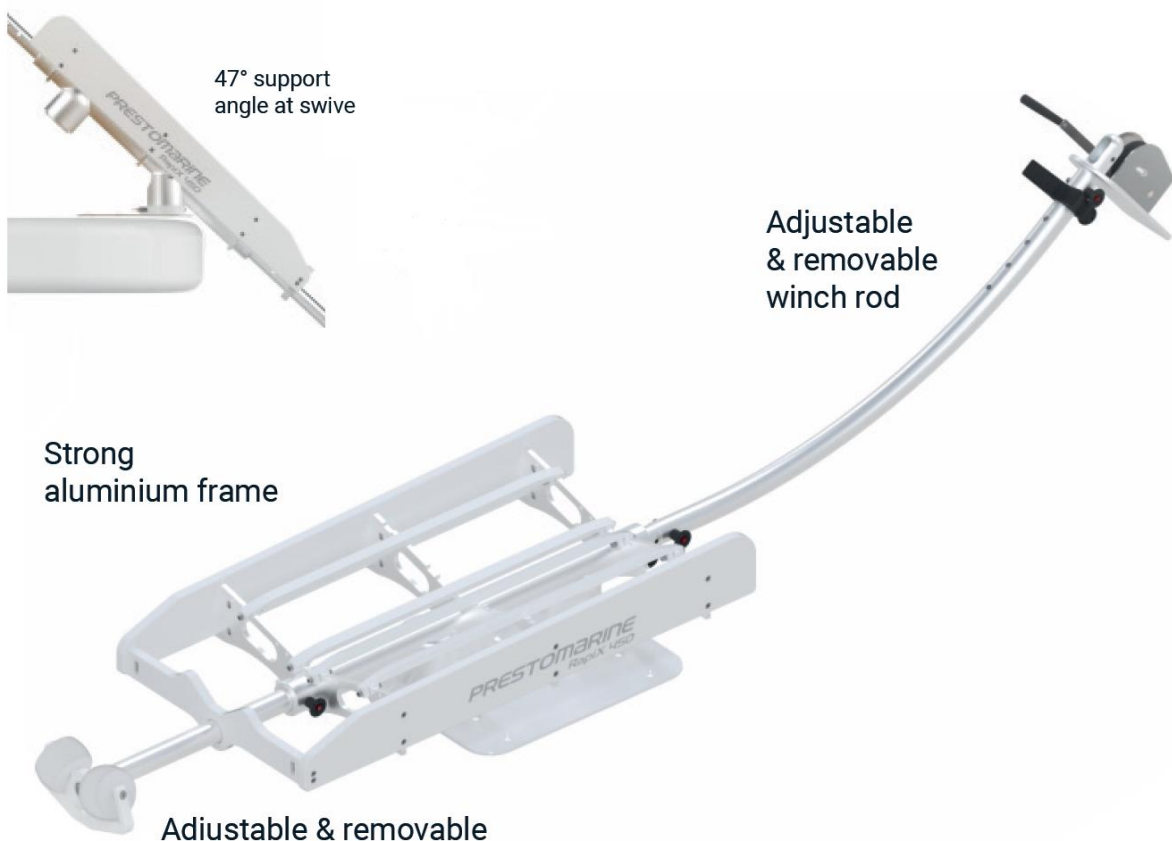
Technical information RapiX 450

The new RapiX 450 is designed for up to 450kg (1000lbs) of load. It has several features to make launch and haul out easier compared to other products on the market. The RapiX is the new leader.

We put a lot of effort into the new frame. Made in 5083 marine aluminium, it is strong and rigid. The forward rod is curved for a better working position for the user. It is also adjustable in length. We added a rear "roller unit" for easy catch of the bow of the dinghy when hauling. The rollers help make it easier. The length of this is also adjustable.

Features:

- 47deg support. We added a stop when tilting the lift at 47degree. This means less human work to hold the lift when hauling or launching. It simply rest at the stop.
- The winch rod and roller rod are both adjustable.
- The two additional sliders in the middle of the unit can be installed in different locations to secure the best position for a particular jetski or dinghy.
- The lift can easily be removed from the base plate.

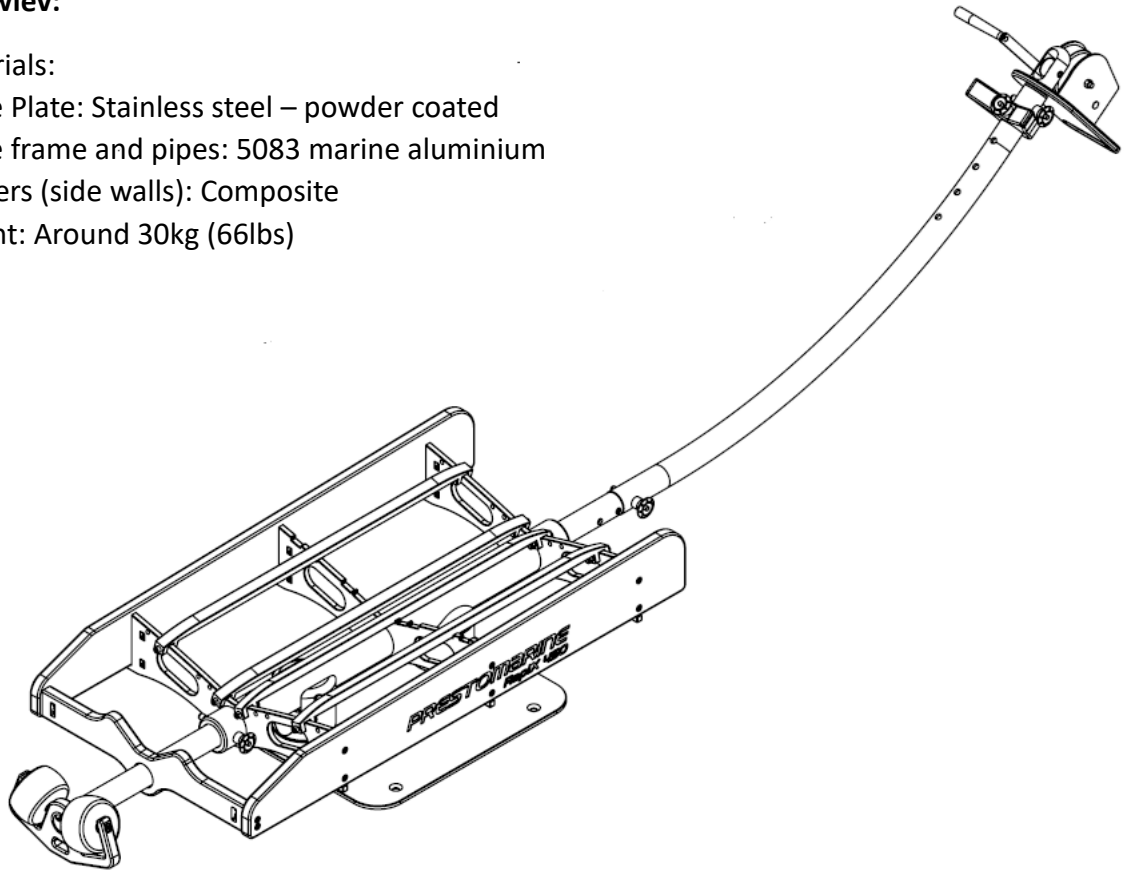


Overwiev:

Materials:

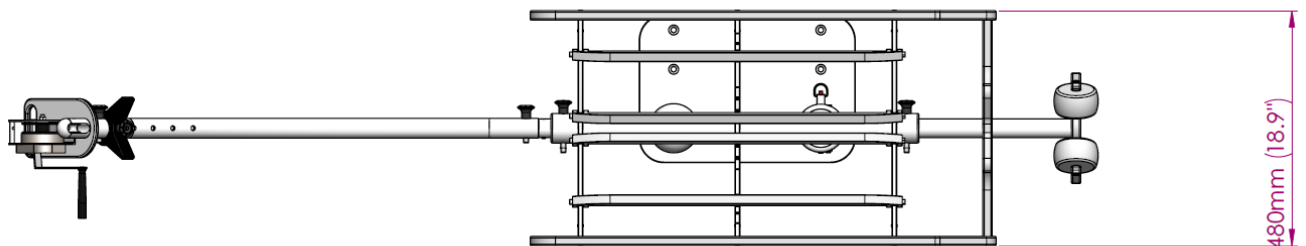
- Base Plate: Stainless steel – powder coated
- Base frame and pipes: 5083 marine aluminium
- Gliders (side walls): Composite

Weight: Around 30kg (66lbs)



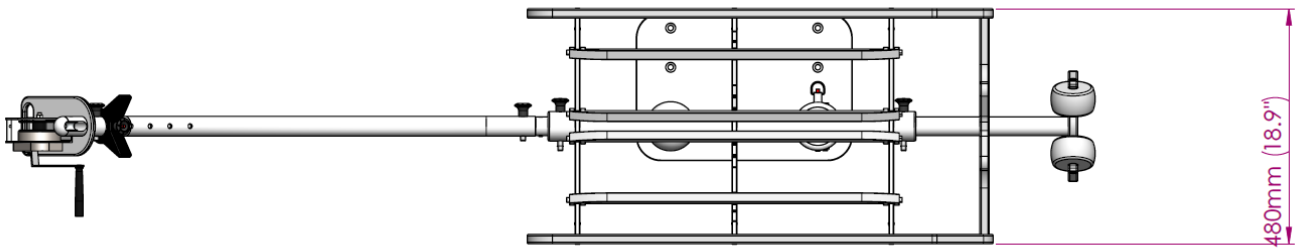
Installation on the swim platform.

Typically, the davit is installed offset on the platform so that the stern of the dinghy is more supported. The dinghy is heavier at the back due to engine weight. It must also be installed so that the davit can be able to pivot over the edge of your platform.

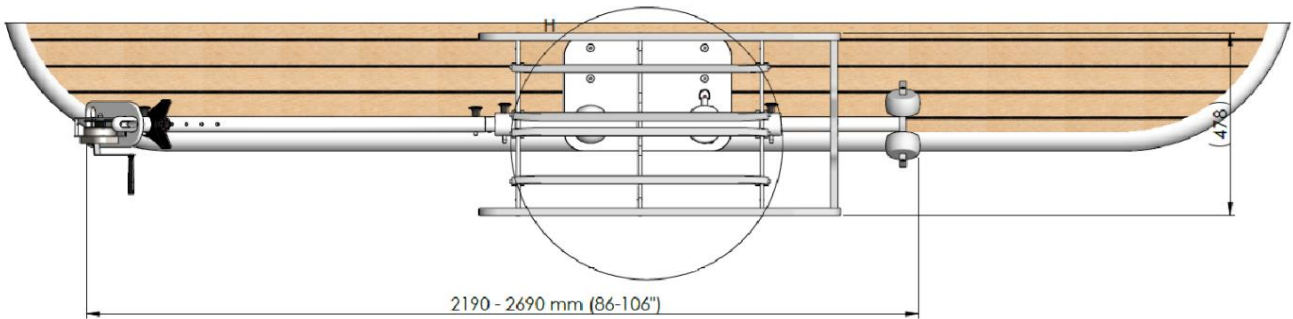


Remember to use "Tie downs" when underway, we recommend our "strap kits" with 4 tie downs included and stainless-steel ratchets.

Top view



Picture shows the base plate installed just 100% on the swim platform – to the very rear.



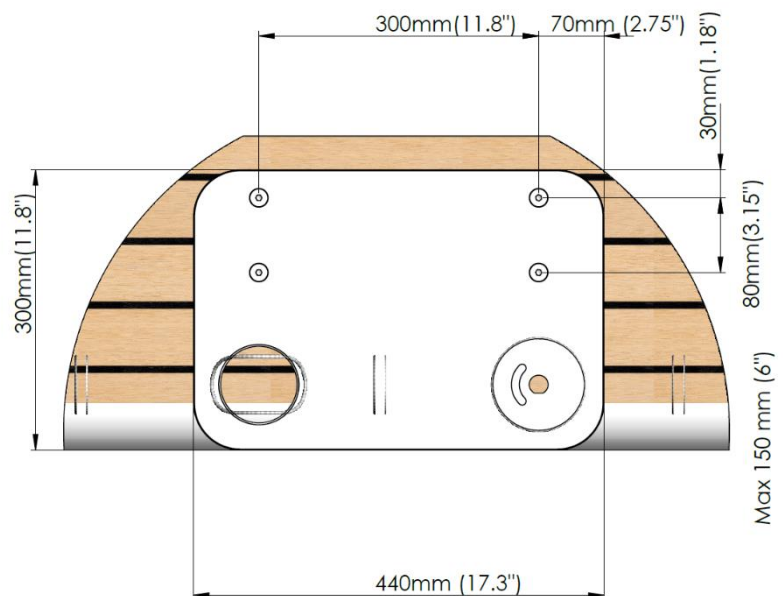
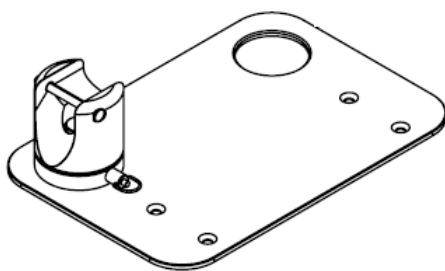
Base Plate:

The winch will always be located on the “port side” of the main boat. If the winch must be on the starboard side, contact Prestomarine as a “mirrored” base plate will be required as accessory.

The base plate width is 300mm (11.8”). If there is a need to move the base plate further aft for space requirements, it is allowed to mount the base plate with 50% of the plate “sticking out” in the air – rear of the swim platform. In some cases the depth of the swim platform may be very “shallow”. It is possible to install the base plate on a locally made “extension” so that the full size of the base plate is actually mounted as far rear as is required. This also means that the dinghy will be outside of the main boat.

Base plate with “swivel”

Dimensions



Dimensions:

